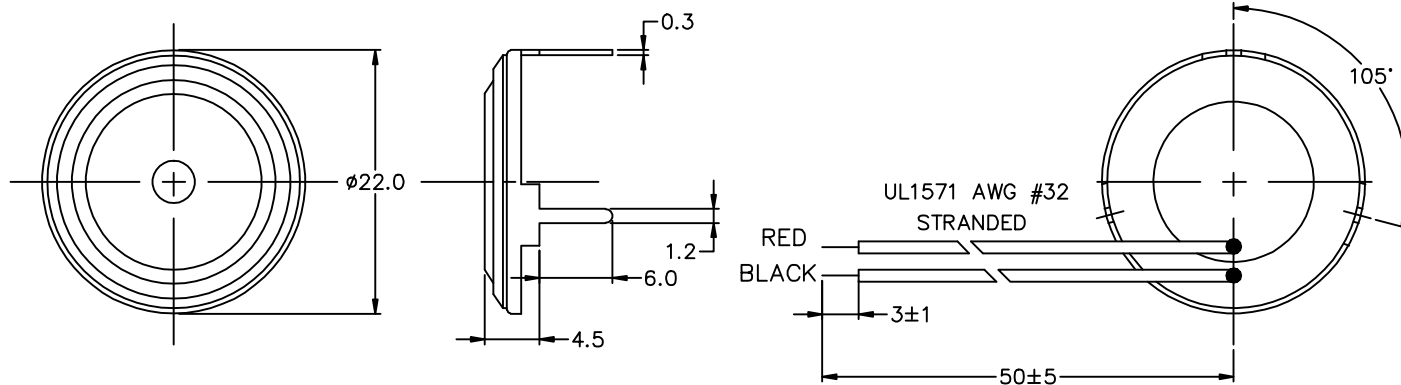


THIS DOCUMENT CONTAINS DATA PROPRIETARY TO PROJECTS UNLIMITED, INC. ANY USE OR REPRODUCTION, IN ANY FORM, WITHOUT PRIOR WRITTEN PERMISSION OF PROJECTS UNLIMITED, INC. IS PROHIBITED.
 ©2005, Projects Unlimited Inc.

SPECIFICATIONS

PARAMETERS	VALUES	UNITS
RATED VOLTAGE (SQUARE WAVE)	15	Vp-p
OPERATING VOLTAGE RANGE	1 ~ 30	Vp-p
RATED CURRENT (MAX)	5	mA
CAPACITANCE	13,000±30%	pF
MINIMUM SPL @ 10 CM	92	dB
RESONANT FREQUENCY	5,000±500	Hz
OPERATING TEMPERATURE	-20 ~ +60	°C
STORAGE TEMPERATURE	-30 ~ +70	°C
HOUSING MATERIAL	BRASS	-
TERMINAL MATERIAL	LEAD WIRE	-
WEIGHT	2	grams

REVISIONS			
LTR	DESCRIPTION	DATE	APPROVED
-	RELEASED FROM ENGINEERING	8/09/05	



NOTES:

1. ALL DIMENSIONS ARE IN MILLIMETERS.
2. SPECIFICATION SUBJECT TO CHANGE OR WITHDRAWAL WITHOUT NOTICE.
3. THIS PART IS RoHS 2002/95/EC COMPLIANT.

UNLESS OTHERWISE SPECIFIED: DIMENSIONS ARE IN MILLIMETERS, TOLERANCES ARE ±0.5 AND ANGLES ARE ±3°.



projects®
unlimited

Dayton, Ohio

TRANSDUCER(PEIZO)

APPROVALS	DATE
DRAWN J.A.F.	8/05
APPROVED E.P.	8/05
B.R.	8/05

SIZE
A

DRAWING NO.

AT-2250-T-LW50-R

FILE NAME
AT-2250-T-LW50-R.DWG

DO NOT SCALE DRAWING

SCALE: N.T.S.

SHEET 1 OF 1